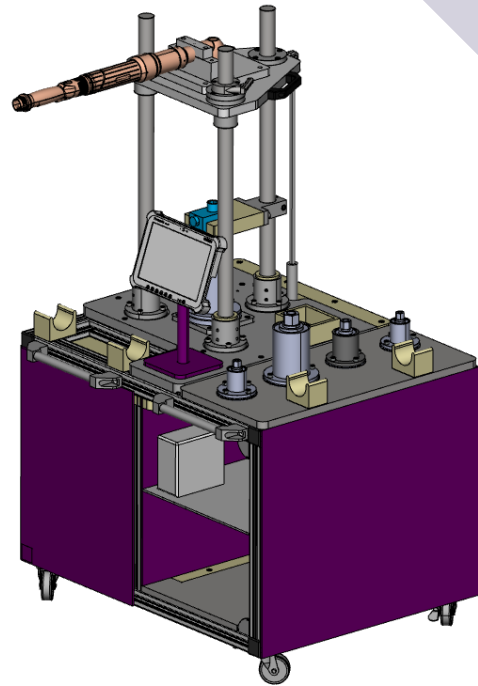
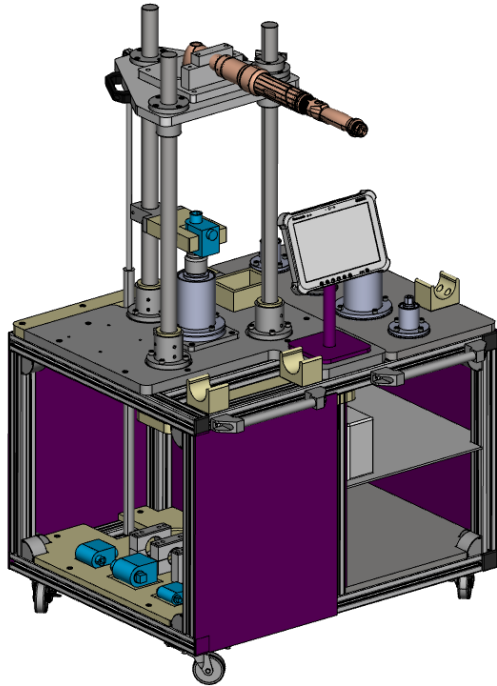


# AIE - Mobile Tool Calibration Cell 02



The AIE-MTCC-01 is the perfect partner for DC and manual tooling suppliers to maintain customer tools calibration records.

This mobile and robust platform offers tooling suppliers the ability to provide fast, responsive and effective tool calibration services at the production line, eliminating the need to remove the tools off site or to the site workshop for calibration.

The AIE-MTCC-01 is supplied as a standard base unit and is customisable to the customers tooling requirements for; tool manufacturer, tool type and tool mounting method.

- Suitable for inline and angle head DC and battery tools.
- Completely adjustable for tool manufactures and models.
- Light, agile and mobile. Perfect for tight production lines and cells.

- Robust design to accommodate harsh production environments.
- Very low maintenance required.
- CE Marked and Technical Documentation supplied as standard.

## Optional supply to suit your application:

- Torque Transducers:
  - Available for Torque only or Torque and Angle.
  - Available in Torque Ranges from 0.5Nm to 600Nm.
- Test Joints:
  - 1/4", 3/8", 1/2", 3/4", 1" Joint sizes available.
- Torque data collection computer and Tablet.
- Transducer cable manifold.
- Transducer cables.
- Static transducer for manual click wrench 0.5Nm – 68Nm.
- Bespoke torque measurement equipment available. Please contact AIE to discuss your application in detail or to arrange a site visit.

## Quotation on application



Advanced  
Industrial  
Engineering

*Quality, Precision, Integrity*

Revision: 2. Nov 2020. PROPERTY OF ADVANCED INDUSTRIAL ENGINEERING LTD - REGISTERED DESIGN